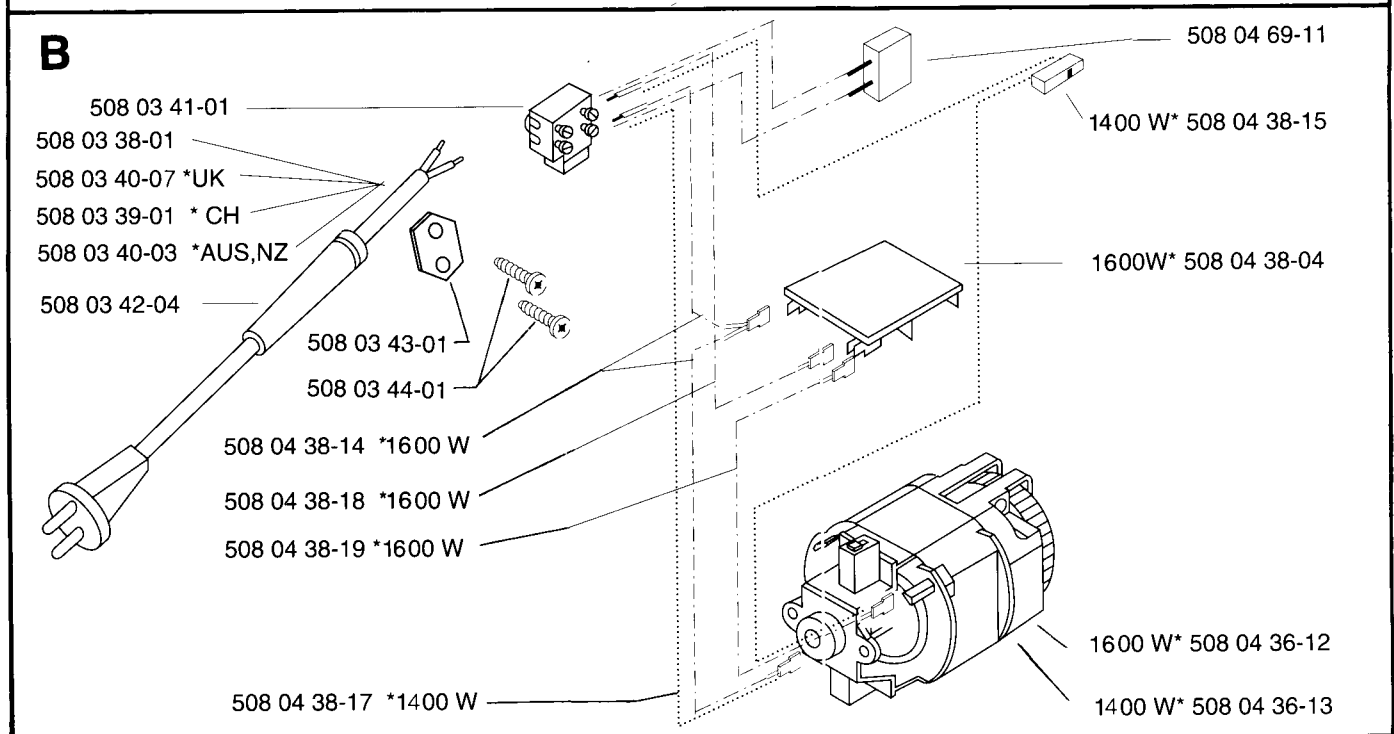
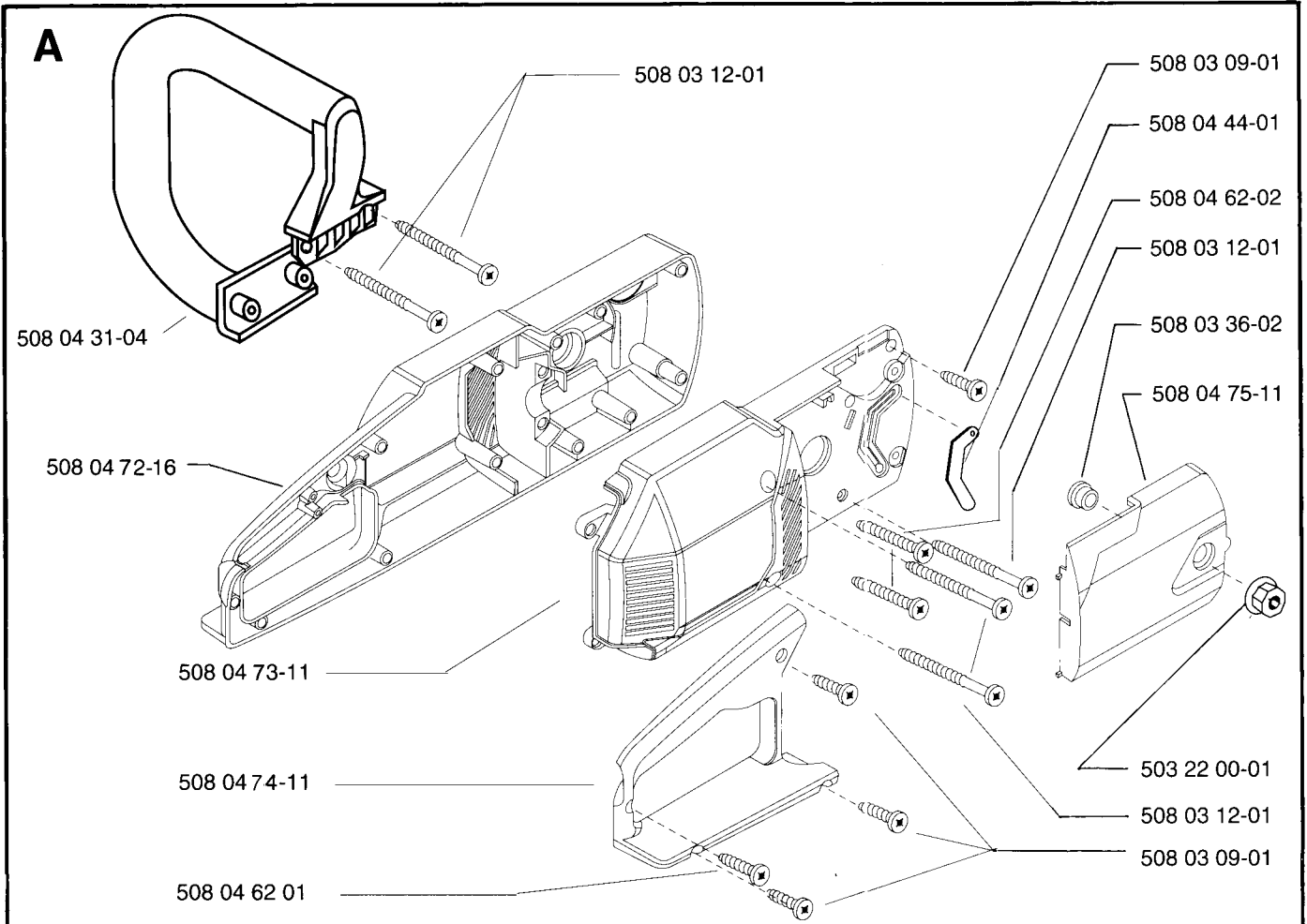
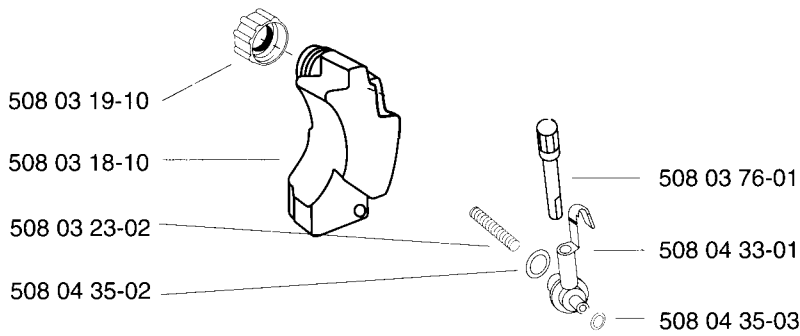


## SPAREPARTS 107 25 94-62



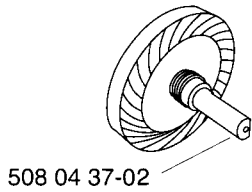
MODEL NUMBER 1450/1650

**C**

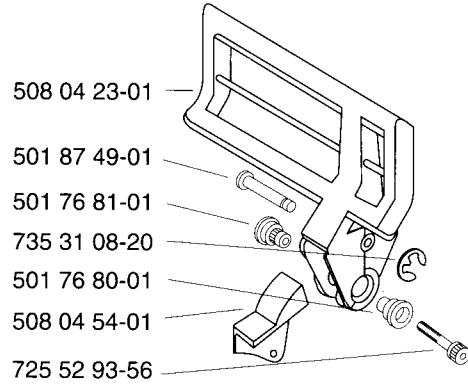


PARTNUMBER	SQUARE	NOTE
501 53 73-01	F	
501 76 80-01	E	
501 76 81-01	E	
501 87 49-01	E	
501 87 53-01	F	
503 22 00-01	A	
508 03 09-01	A,F	
508 03 11-01	F	
508 03 12-01	A,F	
508 03 18-10	C	

**D**

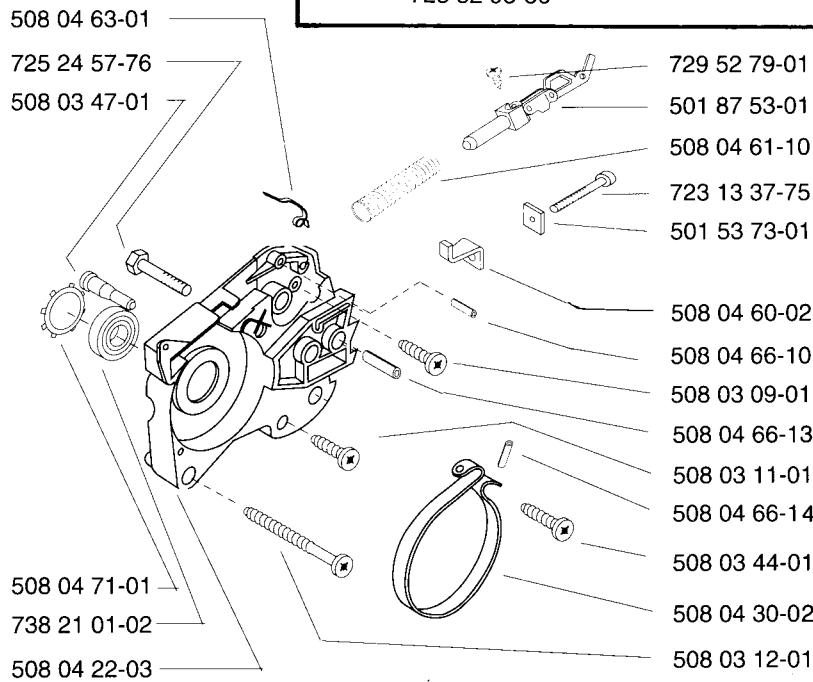


**E**



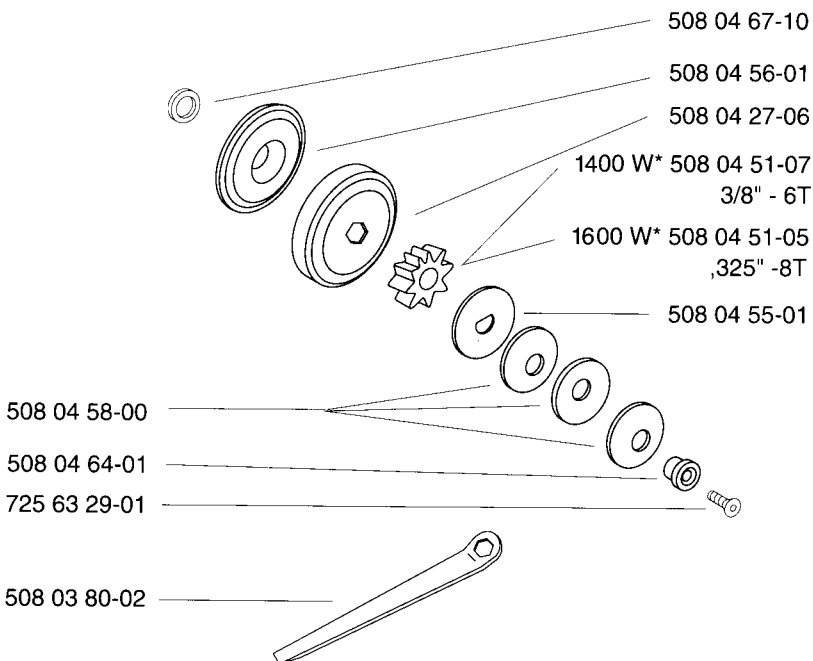
508 03 19-10	C	
508 03 23-02	C	
508 03 36-02	A	
508 03 38-01	B	
508 03 39-01	B	
508 03 40-03	B	
508 03 40-07	B	N
508 03 41-01	B	
508 03 42-04	B	
508 03 43-01	B	

**F**



508 03 44-01	B,F	
508 03 47-01	F	
508 03 76-01	C	
508 03 80-02	G	
508 04 22-03	F	
508 04 23-01	E	
508 04 27-06	G	
508 04 30-02	F	N
508 04 31-04	A	
508 04 33-01	C	

**G**



508 04 35-02	C	
508 04 35-03	C	
508 04 36-12	B	
508 04 36-13	B	
508 04 37-02	D	N
508 04 38-04	B	
508 04 38-14	B	
508 04 38-15	B	
508 04 38-17	B	
508 04 38-18	B	
508 04 38-19	B	
508 04 44-01	A	
508 04 51-05	G	
508 04 51-07	G	
508 04 54-01	E	
508 04 55-01	G	
508 04 56-01	G	
508 04 58-00	G	
508 04 60-01	F	
508 04 60-02	F	

508 04 61-10	F	
508 04 62-01	A	
508 04 62-02	A	
508 04 63-01	F	
508 04 64-01	G	
508 04 66-10	F	
508 04 66-13	F	N
508 04 66-14	F	N
508 04 67-10	G	
508 04 69-11	B	

508 04 71-01	F	
508 04 72-16	A	N
508 04 73-11	A	N
508 04 74-11	A	N
508 04 75-11	A	N
723 13 37-75	F	
725 24 57-76	F	
725 52 93-56	E	
725 63 29-01	G	
729 52 79-01	F	

735 31 08-20	E	
738 21 01-02	F	

N=NY DETALJ  
NEW PART  
NEUES TEIL